



Control levers

Steel, blackened

SPECIFICATION

Types

- Type **M**: Cover with indicator point
- Type **N**: Cover plain

Steel
blackened

Cover
Plastic, light grey

Cylindrical knobs
Plastic, Duroplast
black



INFORMATION

The cover hides fasteners (see assembly instructions) and provides a printing facility for any symbol or logo.

On assembly, the cover is pushed in by hand and can be removed with a screw driver via a suitable slot.

Control levers GN 750 can also be supplied as standard with:

- Square DIN 79 **V** + Bore diameter
- Keyway DIN 6885 **K** + Bore diameter

ON REQUEST

- Control lever versions of the assembly examples

TECHNICAL INFORMATION

- Cross holes GN 110 (see page A17)
- Keyway P9 DIN 6885 (see page A16)
- ISO-Fundamental Tolerance (see page A21)

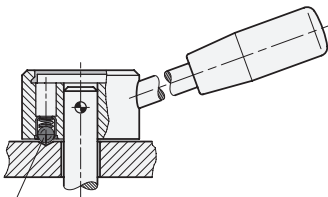
ASSEMBLY EXAMPLES

Control lever GN 750 with spring-loaded ball, GN 614 (see page 847) version brass (MS) or plastic (KU), fitted to the shaft with a dowel pin.

The spring-loaded ball provides a simple indexing assembly, the location indent can be spotted through the control lever hub.

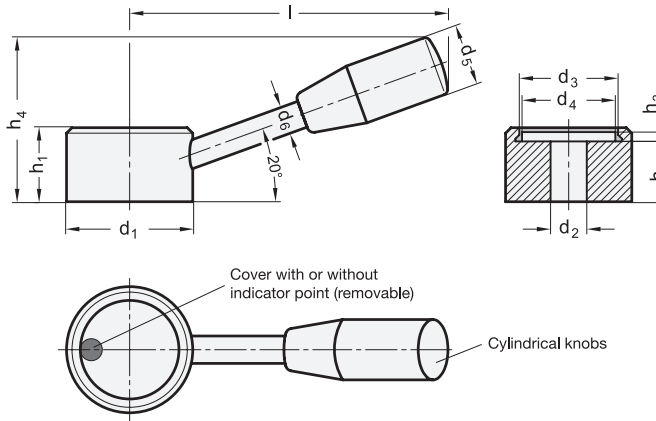
The shaft end and the screw of the indexing ball are hidden by the plastic cover.

Control lever GN 750 with keyway and countersunk washer GN 184 (see page 971) for positive lateral location and with a radial slot and dowel pin providing angle limitations.



Spring plunger GN 614
Version MS or KU

Control elements 6



GN 750

Description	d1	d2 h7	d3	d4	d5	d6	h1	h2	h3	h4 ≈	l	⚖
GN 750-32-B10-M	32	B 10	25	23	18	8	21	15	4.2	43	84	123
GN 750-40-B10-M	40	B 10	32	30	21	9	25	19	4	54	106	239
GN 750-40-B12-M	40	B 12	32	30	21	9	25	19	4	54	106	232
GN 750-50-B14-M	50	B 14	40	37.5	23	11	28	22	3.8	63	130	412
GN 750-50-B16-M	50	B 16	40	37.5	23	11	28	22	3.8	63	130	406
GN 750-32-B10-N	32	B 10	25	23	18	8	21	15	4.2	43	84	123
GN 750-40-B10-N	40	B 10	32	30	21	9	25	19	4	54	106	239
GN 750-40-B12-N	40	B 12	32	30	21	9	25	19	4	54	106	232
GN 750-50-B14-N	50	B 14	40	37.5	23	11	28	22	3.8	63	130	412
GN 750-50-B16-N	50	B 16	40	37.5	23	11	28	22	3.8	63	130	406
GN 750-32-V10-M	32	V 10	25	23	18	8	21	15	4.2	43	84	116
GN 750-40-V10-M	40	V 10	32	30	21	9	25	19	4	54	106	232
GN 750-40-V12-M	40	V 12	32	30	21	9	25	19	4	54	106	225
GN 750-50-V14-M	50	V 14	40	37.5	23	11	28	22	3.8	63	130	412
GN 750-50-V16-M	50	V 16	40	37.5	23	11	28	22	3.8	63	130	406
GN 750-32-V10-N	32	V 10	25	23	18	8	21	15	4.2	43	84	116
GN 750-40-V10-N	40	V 10	32	30	21	9	25	19	4	54	106	232
GN 750-50-V14-N	50	V 14	40	37.5	23	11	28	22	3.8	63	130	412
GN 750-50-V16-N	50	V 16	40	37.5	23	11	28	22	3.8	63	130	403
GN 750-32-K10-M	32	K 10	25	23	18	8	21	15	4.2	43	84	121
GN 750-40-K10-M	40	K 10	32	30	21	9	25	19	4	54	106	236
GN 750-40-K12-M	40	K 12	32	30	21	9	25	19	4	54	106	229
GN 750-50-K14-M	50	K 14	40	37.5	23	11	28	22	3.8	63	130	408
GN 750-50-K16-M	50	K 16	40	37.5	23	11	28	22	3.8	63	130	402
GN 750-32-K10-N	32	K 10	25	23	18	8	21	15	4.2	43	84	121
GN 750-40-K10-N	40	K 10	32	30	21	9	25	19	4	54	106	236
GN 750-40-K12-N	40	K 12	32	30	21	9	25	19	4	54	106	229
GN 750-50-K14-N	50	K 14	40	37.5	23	11	28	22	3.8	63	130	408
GN 750-50-K16-N	50	K 16	40	37.5	23	11	28	22	3.8	63	130	402



Control elements 6